

PA-MACH44(Z)(-LD) Data Sheet

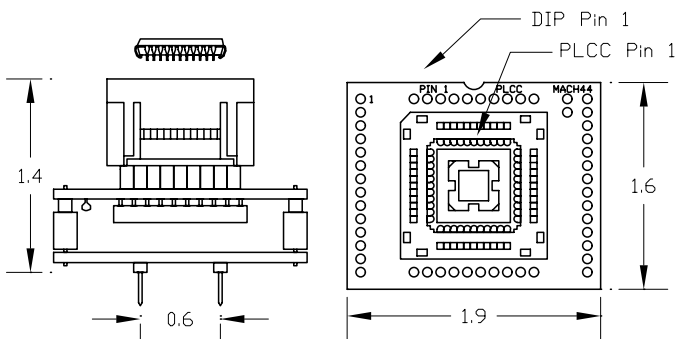
44 pin PLCC socket/28 pin DIP 0.6" plug

Supported Device/Footprints

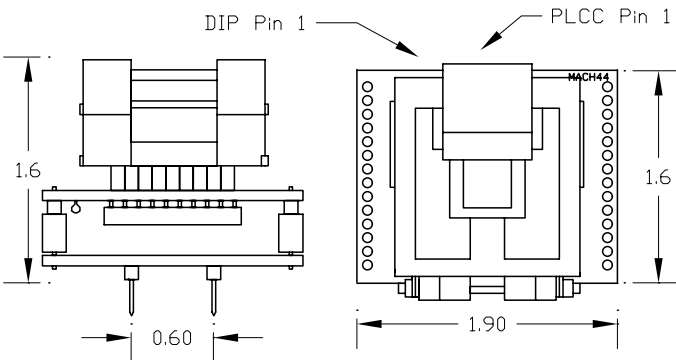
Using this adapter, the AMD MACH110, 210 & 215 in either PLCC or CLCC package can be programmed on DIP programmers. The PA-MACH44-LD is for use with the Logical Devices A1IP ro programmer.

Mfgr	Device	Package	Device	Footprint Plug
AMD	MACH 110, 111, 210 & 215	PLCC, CLCC	Same	28 pin DIP

Adapter Dimensions



PA-MACH44



PA-MACH44Z

Adapter Construction

The adapter is made up of 3 sub-assemblies. They assemble via connectors making the adapter modular. This way the sub-assemblies can be replaced easily.

When disassembling the adapter take care not to bend the pins. When reassembling the adapter note the pin 1 indicators to align the parts correctly.

Test Sockets

LSC #	Style	Mfg: P n
44-106	Open Top	Yamaichi: IC120-0444-106
44-306	Open Top	Yamaichi: IC120-0444-306
44-400	Lidded ZIF	Yamaichi: IC51-0444-400

Adapter Wiring

The following chart shows the connections from the PLCC device to the adapter's DIP plug.

DEVICE	SIGNAL	PLUG	DEVICE	SIGNAL	PLUG
1	GND	14	23	GND	14
2	I/O 0	12	24	I/O 16	11
3	10K	14	25	10K	14
4	I/O 2	13	26	I/O 18	15
5	10K	14	27	10K	14
6	I/O 4	18	28	I/O 20	16
7	10K	14	29	10K	14
8	I/O 6	19	30	I/O 22	17
9**	I/O 7	20	31**	I/O 23	21
10	VPP	2	32	MD1	4
11	MD0	3	33	MD2	5
12	GND	14	34	GND	14
13**	CLK0	1	35**	CLK1	27
14**	I/O 8	6	36**	I/O 24	22
15	I/O 9	7	37	I/O 25	23
16	10K	14	38	10K	14
17	I/O 11	8	39	I/O 27	24
18	10K	14	40	10K	14
19	I/O 13	9	41	I/O 29	25
20	10K	14	42	10K	14
21	I/O 15	10	43	I/O 31	26
22	VCC	28	44	VCC	28

** indicates signals with 470 ohm series resistors on 28-170-LDM44. VCC to GND has a 0.1uf capacitor.

Adapter Sub-Assemblies

The following chart shows the various socket and board part numbers that make up these adapters.

Adapter	Test Socket	Top Board	Bottom Board
PA-MACH44	44-106 or 44-306	MACH44	28-170
PA-MACH44Z	44-400	MACH44Z	28-170
PA-MACH44-LD	44-106 or 44-306	MACH44	28-170-LDM44
PA-MACH44Z-LD	44-400	MACH44Z	28-170-LDM44



Adapters-Plus Inc.

P.O. BOX 900
Tracy, Ca 95378
ph.209-839-0200
fax.209-839-0235
email: sales@adapt-plus.com

www.adapt-plus.com