

PA900BP-44(Z) Data Sheet

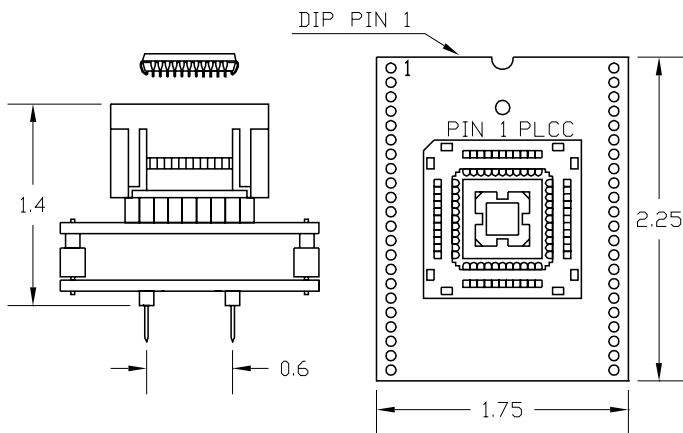
44 pin PLCC socket/28 pin DIP 0.6" plug

Supported Device/Footprints

Using this adapter, the Altera 900 & 910 in PLCC and CLCC package can be programmed on BP Microsystems DIP programmers.

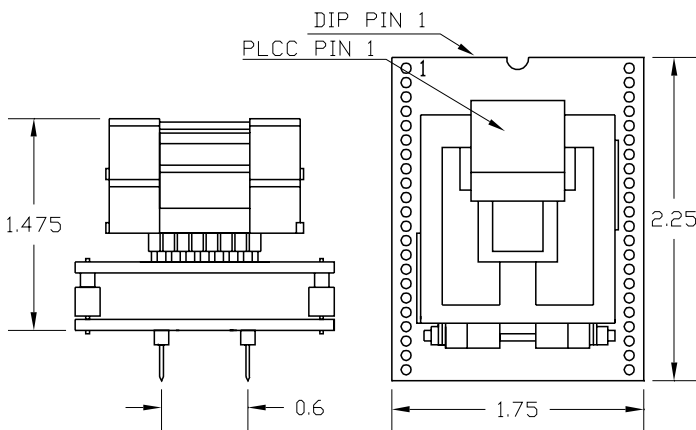
Mfgr	Device	Package	Device	Footprint Plug
Altera	AL900 & AL910	PLCC, CLCC	AL900 & AL910	28 pin DIP

Adapter Dimensions



Press rim to open socket, Press device to close

PA900-44



PA900-44Z

Adapter Parts & Part Numbers

The following chart shows the various socket and board part numbers that make up these adapters.

Adapter	Socket	Top Board	Bottom Board
PA900BP-44	44-106 or 44-306	44PL2-1 or 44PL2-3	AL900BP
PA900BP-44Z	44-400	44PL2-Z	AL900BP

Adapter Construction

The adapter is made up of 3 sub-assemblies. They assemble via connectors making the adapter modular. This way the sub-assemblies can be replaced when they wear out.

When disassembling the adapter take care not to bend the pins. When reassembling the adapter note the pin 1 indicators to align the parts correctly.

Test Socket

PLCC Auto-Eject test socket:

Yamaichi Part #: IC 120-0444-106

LSC #: 44-106

Yamaichi Part #: IC 120-0444-306

LSC #: 44-306

ZIF Lidded socket:

Yamaichi Part #: IC 51-0444-400

LSC #: 44-400

44PL2-1, -3, -Z

Accepts the test socket and connects to the bottom board.

AL900BP

Performs the wiring shown in the Adapter Wiring section

Adapter Wiring

The following chart shows the connections from the PLCC device to the adapter's DIP plug.

DEVICE	SIGNAL	28 PIN	28 PIN	SIGNAL	DEVICE
1	Vcc	28	28	Vcc	44
2	CLK1	1	26	Input	43
3	Input	2	-	Input	42
4	Input	-	-	Input	41
5	Input	-	25	I/O	40
6	I/O	3	-	NC	39
7	I/O	4	24	I/O	38
8	I/O	-	-	I/O	37
9	I/O	-	23	I/O	36
10	I/O	5	22	I/O	35
11	I/O	6	21	I/O	34
12	I/O	7	20	I/O	33
13	I/O	8	19	I/O	32
14	I/O	-	-	I/O	31
15	I/O	-	-	I/O	30
16	I/O	9	18	I/O	29
17	NC	-	17	I/O	28
18	I/O	10	-	Input	27
19	Input	11	16	Input	26
20	Input	-	-	Input	25
21	Input	-	15	CLK2	24
22	Gnd	14	14	Gnd	23



Adapters-Plus Inc.

P.O. BOX 900

Tracy, Ca 95378

ph.209-839-0200

fax.209-839-0235

email:sales@adapt-plus.com

www.adapt-plus.com

Rev 1/28/97

Page 1 of 1