

PA530-52(Z) Data Sheet

52 pin PLCC socket/40 pin DIP 0.6" plug

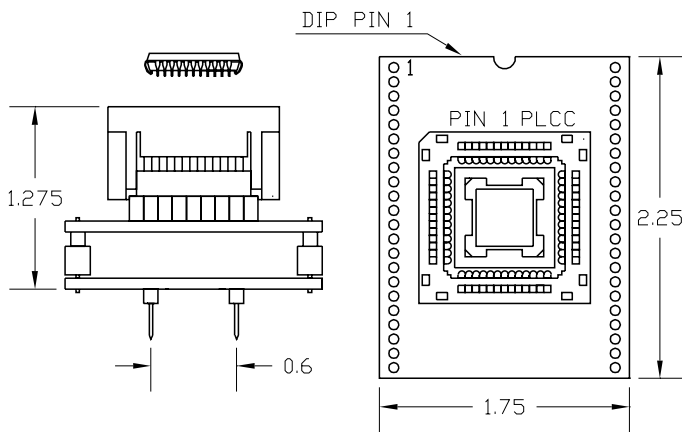
Supported Device/Footprints

This adapter allows programming of the Dallas 87C530 device in an 87C52 or DS87C520 DIP footprint.

Mfgr	Device	Package	Device	Footprint Plug
Dallas	87C530	PLCC	87C52 DS87C520	40 Pin DIP

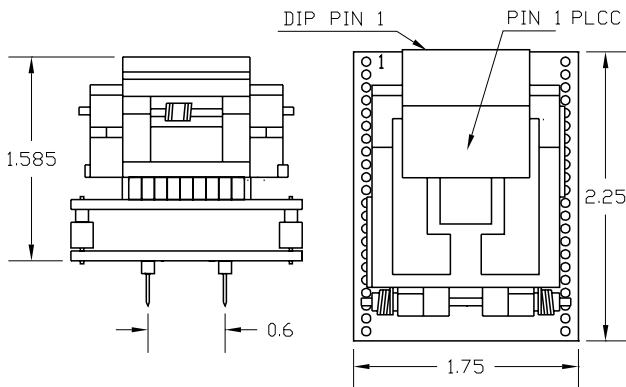
Some programmers provide an 87C530 menu selection. Use that selection after confirming the pinout is compatible with this adapter.

Adapter Dimensions



Press rim to open socket, Press device to close

PA530-52



PA530-52Z

Adapter Construction

The adapter is made up of 3 sub-assemblies. They assemble via connectors making the adapter modular. This way the sub-assemblies can be replaced easily.

When disassembling the adapter take care not to bend the pins. When reassembling the adapter note the pin 1 indicators to align the parts correctly.

The following chart shows the various socket and board part numbers that make up these adapters.

Adapter	Socket	Top Board	Bottom Board
PA530-52	52-307	530-52	51BASE
PA530-52Z	52-411	530-52Z	51BASE

Test Sockets

LSC #	Style	Mfgr/Pn
52-307	Auto-Eject	Yamaichi IC 120-0524-307
52-411	Lidded ZIF	Yamaichi IC 51-0524-411

Adapter Wiring

The following chart shows the connections from the PLCC device to the adapter's DIP plug.

DEVICE	SIGNAL	PLUG	PLUG	SIGNAL	DEVICE
1	GND	20	-	RTCX2	27
2	-	-	-	RTCX1	28
3	P1.0	1	-	VCC2	29
4	P1.1	2	21	P2.0	30
5	P1.2	3	22	P2.1	31
6	P1.3	4	23	P2.2	32
7	P1.4	5	24	P2.3	33
8	P1.5	6	25	P2.4	34
9	P1.6	7	26	P2.5	35
10	P1.7	8	27	P2.6	36
11	-	-	28	P2.7	37
12	RST	9	29	/PSEN	38
13	-	-	30	ALE	39
14	-	-	-	-	40
15	P3.0	10	-	-	41
16	P3.1	11	31	-EA/VPP	42
17	P3.2	12	32	P0.7	43
18	P3.3	13	33	P0.6	44
19	P3.4	14	34	P0.5	45
20	P3.5	15	35	P0.4	46
21	P3.6	16	36	P0.3	47
22	P3.7	17	37	P0.2	48
23	XTAL2	18	38	P0.1	49
24	XTAL1	19	39	P0.0	50
25	GND	20	20	VBAT	51
26	GND2	20	40	VCC	52



Adapters-Plus Inc.

P.O. BOX 900
Tracy, Ca 95378
ph.209-839-0200
fax.209-839-0235
email: sales@adapt-plus.com

www.adapt-plus.com