

PA-HD701Y-68Z Data Sheet

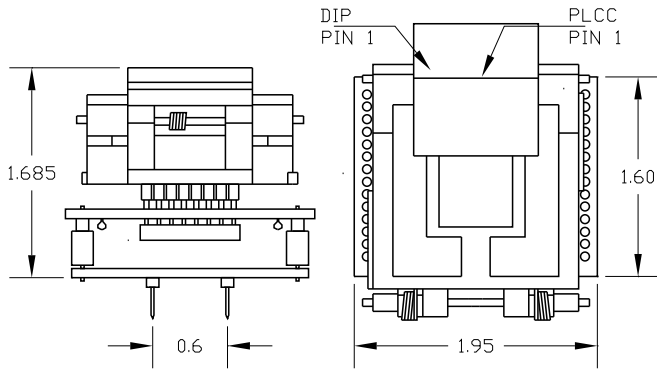
68 pin PLCC socket/28 pin DIP 0.6" plug

Supported Device/Footprints

Using this adapter, the Hitachi HD701Y in either PLCC or CLCC package can be programmed on DIP programmers.

Mfgr	Device	Package	Device	Footprint Plug
Hitachi	HD68701Y	PLCC, CLCC	27C256	28 pin DIP

Adapter Dimensions



PA-HD701Y-68Z

Adapter Parts & Part Numbers

The following chart shows the various socket and board part numbers that make up these adapters.

Adapter	Test Socket	Top Board	Bottom Board
PA-HD701Y-68Z	68-390	HD701Y-68Z	28-170

Device/Footprint Memory Address Range

The HD68701 has 16K Bytes of EPROM. The 27C256 footprint has 32K Bytes of EPROM

On the EPROM programmer access the HD68701Y at addresses 0000-3FFFh.

Programmer addresses 4000h-7FFFh should be set to, and read back as FFh.

Adapter Construction

The adapter is made up of 3 sub-assemblies. They assemble via connectors making the adapter modular. This way the sub-assemblies can be replaced when they wear out.

When disassembling the adapter take care not to bend the pins. When reassembling the adapter note the pin 1 indicators to align the parts correctly.

Test Socket

PLCC Lidded ZIF test socket:

Yamaichi Part #: IC51-0684-390

LSC Part #: 68-390

HD701Y-68Z

Accepts the test socket and performs the wiring shown in the Adapter Wiring section.

28-170

Provides the DIP plug.

Adapter Wiring

The following chart shows the connections from the PLCC device to the adapter's DIP plug.

DEVICE	SIGNAL	PLUG	PLUG	SIGNAL	DEVICE
1	-			-	68
2	GND	14		-	67
3	-			-	66
4	-			-	65
5	GND	14		-	64
6	GND	14		-	63
7	-			D0	62
8	GND	14		D1	61
9	A9	24		D2	60
10	GND	14		D3	59
11	GND	14		D4	58
12	GND	14	17	D5	57
13	GND	14	18	D6	56
14	GND	14	19	D7	55
15	GND	14		-	54
16	GND	14	10	A0	53
17	GND	14	9	A1	52
18	-		8	A2	51
19	GND	14	7	A3	50
20	GND	14	6	A4	49
21	GND	14	5	A5	48
22	GND	14	4	A6	47
23	GND	14	3	A7	46
24	GND	14	14	GND	45
25	GND	14	25	A8	44
26	GND	14	22	*OE	43
27	GND	14	21	A10	42
28	GND	14	23	A11	41
29	GND	14	2	A12	40
30	GND	14	26	A13	39
31	GND	14	27	A14	38
32	GND	14	20	*CE	37
33	GND	14	28	VCC	36
34	GND	14		-	35

0.1uf bypass capacitor between VCC and GND



Adapters-Plus Inc.

P.O. BOX 900
Tracy, Ca 95378
ph.209-839-0200
fax.209-839-0235
email: sales@adapt-plus.com

www.adapt-plus.com