

PA8742-QD Data Sheet

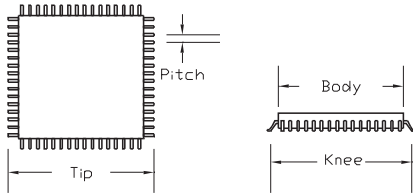
44 Pin QFP socket/40 Pin DIP 0.6" plug

Supported Device/Footprints

This adapter allows programming of the 8742 QFP device in its DIP footprint.

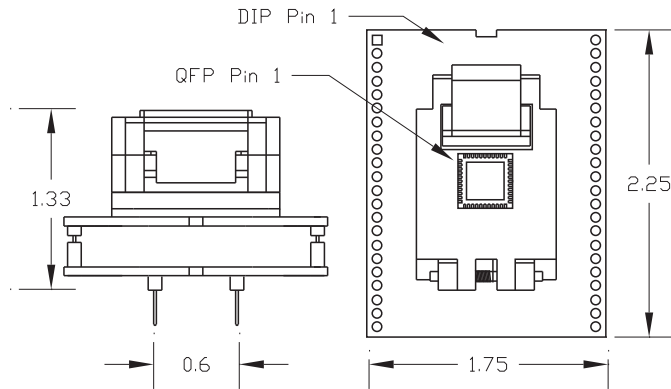
Mfgr	Device		Footprint	
	Device	Package	Device	Plug
Intel	8742	QFP	8742	40 Pin DIP

The QFP socket accepts packages with the dimensions listed below:



Body	Knee	Tip	Pitch
10.0 mm typical	11.0 mm typical 11.6 maximum	12 mm typical 13.2 maximum	0.8 mm

Adapter Dimensions



Note: The signal positions on the QFP device are rotated 180° from their respective DIP positions. To use this adapter insert the QFP device in the socket with pin 1 in the lower right-hand corner (see picture above).

Adapter Construction

The adapter is made up of 3 sub-assemblies. They assemble via connectors making the adapter modular. This way the sub-assemblies can be replaced when they wear out.

When disassembling the adapter take care not to bend the pins. When reassembling the adapter note the pin 1 indicators to align the parts correctly.

Test Socket

QFP test socket:

Enplas Part #: FPQ-44-0.8-06T

LSC #: 44QF-06T

44QFP-6T

Accepts the test socket and connects to the bottom board.

8742-QD

Performs the wiring shown in the Adapter Wiring section.

Adapter Wiring

The following chart shows the connections from the QFP device to the adapter's DIP plug.

DEVICE	PLUG	PLUG	DEVICE
1	26	NC	44
2	27	25	43
3	28	24	42
4	29	23	41
5	30	22	40
6	31	21	39
7	32	20	38
8	NC	19	37
9	33	18	36
10	34	17	35
11	35	16	34
12	NC	15	33
13	36	14	32
14	37	13	31
15	38	12	30
16	39	11	29
17	40	10	28
18	1	9	27
19	2	8	26
20	3	7	25
21	NC	6	24
22	4	5	23



Adapters-Plus Inc.

P.O. BOX 900
Tracy, Ca 95378
ph.209-839-0200
fax.209-839-0235
email: sales@adapt-plus.com

PA8742-QD Data Sheet
Doc: 8742QD.DOC
Rev 1/28/97
Page 1 of 1