

PA705C8-QD(-16 or -06T) Data Sheet

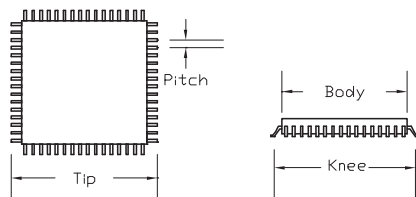
44 pin PQFP or TQFP socket/40 pin DIP 0.6" plug

Supported Device/Footprints

This adapter allows programming an MC68HC705C8 QFP device in its DIP footprint.

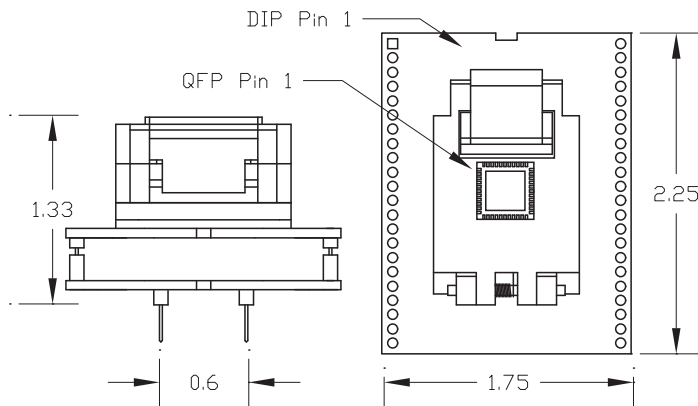
Device			Footprint	
Mfgr	Device	Package	Device	Plug
Motorola	MC68HC705C8	QFP	MC68HC705C8	40 Pin DIP

The QFP socket accepts packages with the dimensions listed below:



Socket	Body	Knee	Tip	Pitch
44QF-16 PQFP	10.0 mm typ	11.6 mm typ	13.2 mm typ	0.8 mm
44QF-06T TQFP	10.0 mm typ	11 mm typ 11.6 mm max	12 mm typ 13.2 mm max	0.8 mm

Adapter Dimensions



44QF-06T Socket Shown

Adapter Parts & Part Numbers

The following chart shows the various socket and board part numbers that make up these adapters.

Adapter	Socket	Top Board	Bottom Board
PA17C64-QD-16	44QF-16	44QFP-16	44-40-CQ
PA17C64-QD-06T	44QF-06T	44QFP-6T	44-40-CQ

Adapter Construction

The adapter is made up of 3 sub-assemblies. They assemble via connectors making the adapter modular. This way the sub-assemblies can be replaced when they wear out.

When disassembling the adapter take care not to bend the pins. When reassembling the adapter note the pin 1 indicators to align the parts correctly.

Test Socket

QFP test socket:

Enplas Part #: FPQ-44-0.8-06T

LSC Part #: 44QF-06T

Enplas Part #: FPQ-44-0.8-16

LSC Part #: 44QF-16

44QFP-6T or 44QFP -16

Accepts the test socket and connects to the bottom board.

44-40-CQ

Performs the wiring shown in the Adapter Wiring section.

Adapter Wiring

The following chart shows the connections from the QFP device to the adapter's DIP plug.

DEVICE	PLUG	PLUG	DEVICE
1	5	4	44
2	6	3	43
3	7	2	42
4	8	1	41
5	9	N/C	40
6	10	N/C	39
7	11	40	38
8	12	39	37
9	13	38	36
10	14	37	35
11	15	36	34
12	16	35	33
13	17	34	32
14	18	33	31
15	19	32	30
16	N/C	31	29
17	20	30	28
18	21	29	27
19	22	28	26
20	23	27	25
21	24	26	24
22	N/C	25	23



Adapters-Plus Inc.

P.O. BOX 900
Tracy, Ca 95378
ph.209-839-0200
fax.209-839-0235
email:sales@adapt-plus.com

www.adapt-plus.com

PA705C8-QD Data Sheet

Doc: 705C8-QD.DOC

Rev 10/24/97

Page 1 of 1