

PA44-40-34-QD-03(06T) Data Sheet

44 pin QFP socket/40 pin DIP 0.6" plug

Supported Device/Footprints

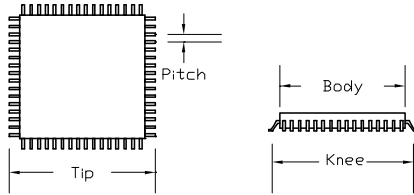
This adapter allows programming of several QFP devices in their DIP footprint. A partial list is:

Zilog: Z86E142/ E143/ E144/ E145/ E146

Footprint: Same device 40DIP

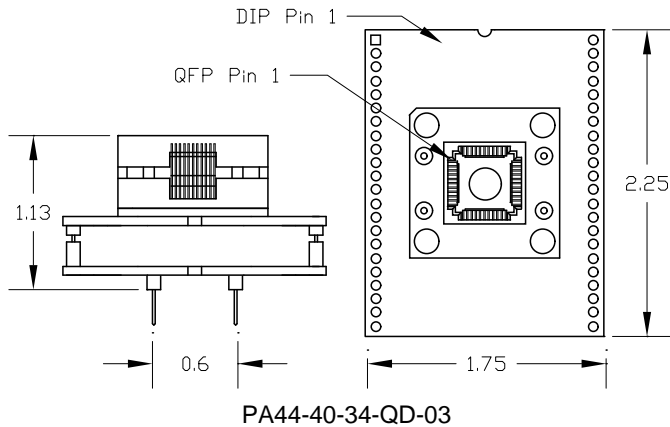
Other devices that require the same wiring and footprint would also be supported.

The QFP socket accepts packages with the dimensions listed below:

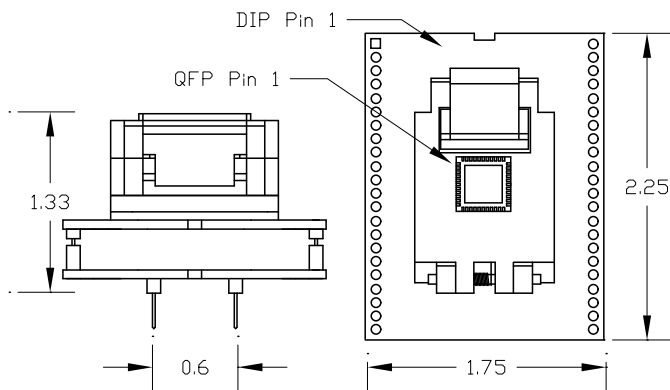


Socket	Body	Knee	Tip	Pitch
44QF-03	10.0 mm typ	11 mm typ 11.3 mm max	12 mm typ 12.8 mm max	0.8 mm
44QF-06T	10.0 mm typ	11 mm typ 11.6 mm max	12 mm typ 13.2 mm max	0.8 mm

Adapter Dimensions



PA44-40-34-QD-03



PA44-40-34-QD-06T

Adapter Construction

The adapter is made up of 3 sub-assemblies. They assemble via connectors making the adapter modular. This way the sub-assemblies can be replaced easily.

When disassembling the adapter take care not to bend the pins. When reassembling the adapter note the pin 1 indicators to align the parts correctly.

The following chart shows the various socket and board part numbers that make up these adapters.

Adapter	Socket	Top Board	Bottom Board
PA44-40-34-QD-03	44QF-03	44QF-03	44-40-34
PA44-40-34-QD-06T	44QF-06T	44QF-06T	44-40-34

Test Sockets

LSC #	Style	Mfgr/Pn
44QF-03	Open-Top	Enplas FPQ-44-0.8-03
44QF-06T	Lidded ZIF	Enplas FPQ-44-0.8-06T

Adapter Wiring

The following chart shows the connections from the QFP device to the adapter's DIP plug.

QFP Socket	SIGNAL	DIP Plug	DIP Plug	SIGNAL	QFP Socket
1	P05	6	5	P04	44
2	P06	7	4	P27	43
3	P14	8	3	P26	42
4	P15	9	2	P25	41
5	P07	10	1	R/W	40
6	Vcc	11	-	N/C	39
7	Vcc	11	40	DS	38
8	P16	12	39	P24	37
9	P17	13	38	P23	36
10	XTAL2	14	37	P22	35
11	XTAL1	15	36	P21	34
12	P31	16	35	P20	33
13	P32	17	34	P03	32
14	P33	18	33	P13	31
15	P34	19	32	P12	30
16	AS	20	31	GND	29
17	R/RL	-	31	GND	28
18	RESET	21	30	P02	27
19	P35	22	29	P11	26
20	P37	23	28	P10	25
21	P36	24	27	P01	24
22	P30	25	26	P00	23

Skip short notation:

QFP pins: (6, 17, 28, 39), (6-7), (28-29)

Header pins: (1, 12, 23, 34) (12-13), (34-35).

Note 1: There is no DIP pin for R/RL. The QFP pin is left floating on the adapter. If needed, there are jumper points labeled on the bottom board for R/RL, Vcc, & GND.



Adapters-Plus Inc.

P.O. BOX 900
Tracy, Ca 95378
ph.209-839-0200
fax.209-839-0235
email: sales@adapt-plus.com

PA44-40-34-QD-03(06T) Data Sheet

Doc: 444034QD03.DOC

Rev 08/07/00

Page 1 of 1