

PA-SOD-1603-D250-xx/2 Data Sheet

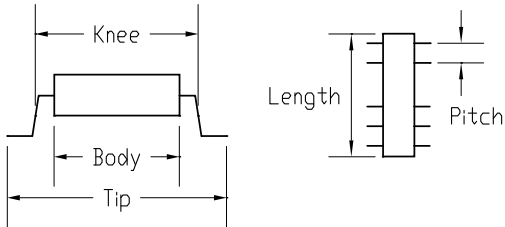
8, 14 & 16 pin SO socket/8, 14 & 16 pin SO-Plugs

Supported Device/Footprints

Using these adapters, 8, 14 and 16 pin SO packages with a body width of 3.9mm - 4.0mm and lead pitch (1.27mm) can be socketed over their PCB footprints.

Device Dimensions

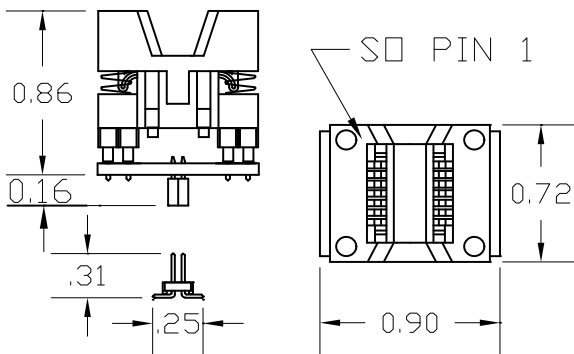
This socket accepts devices with the following dimensions:



Body mm (inches)			Knee mm (inches)		
min.	typ.	max.	min.	typ.	max.
n/a	3.9 (0.153)	4.0 (0.157)	n/a	5.0 (0.197)	5.2 (0.205)

Tip mm (inches)			Body Length	Lead Pitch
min.	typ.	max.	n/a	1.27 (0.050)
5.8 (0.228)	6.0 (0.236)	6.35 (0.250)		

Adapter Dimensions



Adapter Construction

The adapter is made up of 2 sub-assemblies. They assemble via connectors making the adapter modular. This way the sub-assemblies can be replaced easily.

When disassembling the adapter take care not to bend the pins. When reassembling the adapter note the pin 1 indicators to align the parts correctly.

The following chart lists the adapters described by this datasheet and their subassemblies.

Adapter	Test Socket	Board	Plug
PA-SOD-1603-D250-16/2	16SD-03	1603SOD	SOF-D250-16/2
PA-SOD-1603-D250-14/2	14(16H)SD-03	1603SOD	SOF-D250-14/2
PA-SOD-1603-D250-08/2	08(16H)SD-03	1603SOD	SOF-D250-08/2

Other SO-Plugs will also mate with this adapter, contact us if you want assistance matching plugs to this adapter.

Test Sockets

LSC #	Style	Mfgr/Pn
16SD-03	Open Top	Enplas OTS-16-1.27-03
xx(16)SD-03	Open Top	Enplas OTS-xx(16H)-1.27-03

Notes

- The xx(16)SD-03 sockets are depopulated 16SD-03 sockets. A "dam" is added to prevent incorrect alignment of the device.
- For all versions of the adapter, the board provides 16 positions to receive the SO-Plug. When using plugs with less than 16 pins orient the plug and the device, away from the pin 1 end of the board.

Wiring

Wiring is 1 to 1. Pin 1 of the SO device is wired to pin 1 of the plug. Pin 2 to pin 2 and so on around the adapter.



Adapters-Plus Inc.

P.O. Box 900
 Tracy, Ca 95378
 ph.209-839-0200
 fax.209-839-0235
 email: sales@adapt-plus.com