

PA705C8-DP(-PP) Data Sheet

40 pin DIP ZIF socket/44 pin PLCC plug

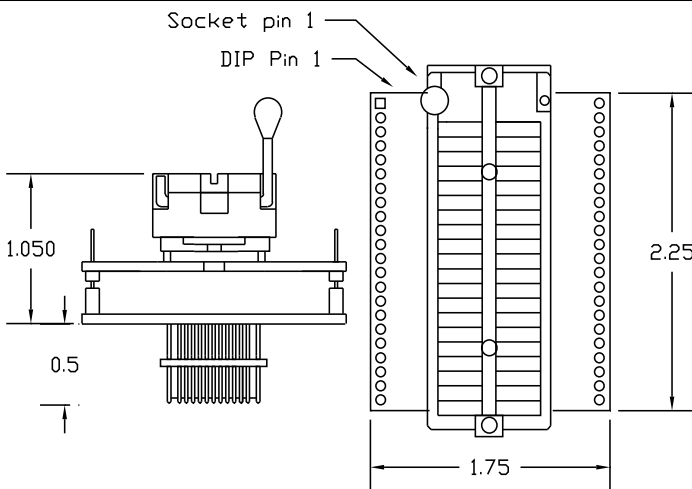
Supported Device/Footprints

The PA705C8-DP adapter accepts 40 pin DIP devices and plugs into 44 pin PLCC production sockets. This allows DIP devices, or emulators with DIP plugs, to be used during development of PLCC based products.

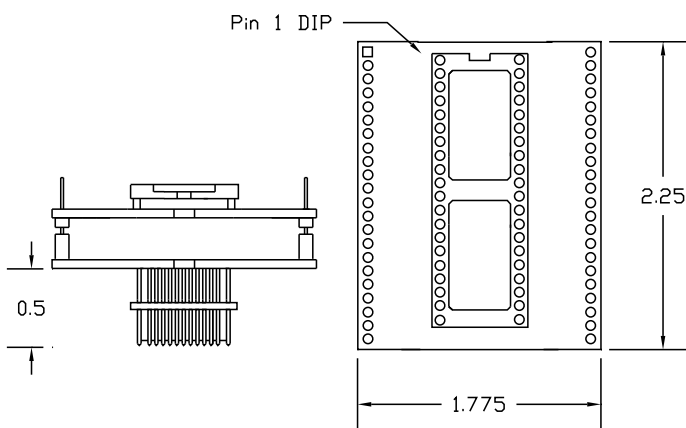
The PA705C8-DP-PP adapter has only a 40 pin production socket on the top board. No DIP ZIF socket.

Mfgr	Socket		Plug	
	Device	Package	Device	Plug
Motorola	MC68HC705C8	40 pin DIP	MC68HC711C8	44 pin PLCC

Adapter Dimensions



PA705C8-DP



PA705C8-DP-PP

Adapter Construction

The adapter is made up of 3 sub-assemblies. They assemble via connectors making the adapter modular. This way the sub-assemblies can be replaced when they wear out.

When disassembling the adapter take care not to bend the pins. When reassembling the adapter note the pin 1 indicators to align the parts correctly.

Test Socket

Aries Part #: 40-6554-11

LSC Part #: 40ADZ

40-44-C8

Accepts the test socket and performs the wiring in the Adapter Wiring section.

44PLUG

Provides the PLCC plug.

Adapter Wiring

The following chart shows the connections from the DIP device to the adapter's PLCC plug.

PLCC	DIP	DIP	PLCC
1	1	40	44
2	2	39	43
3	N/C	38	42
4	3	37	41
5	4	N/C	40
6	5	36	39
7	6	35	38
8	7	34	37
9	8	33	36
10	9	32	35
11	10	31	34
12	11	30	33
13	12	29	32
14	13	28	31
15	14	27	30
16	15	26	29
17	16	25	28
18	N/C	24	27
19	17	23	26
20	18	22	25
21	19	21	24
22	20	N/C	23



Adapters-Plus Inc.

P.O. BOX 900
Tracy, Ca 95378
ph.209-839-0200
fax.209-839-0235
email: sales@adapt-plus.com

PA705C8-DP(-PP) Data Sheet

Doc: 705C8DP.DOC

Rev 2/10/97

Page 1 of 1