

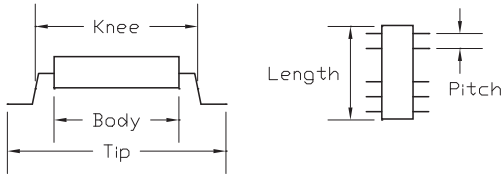
PA40TS-SG1 Data Sheet

40 pin TSOP socket/40 pin DIP 0.6" plug

Supported Device/Footprints

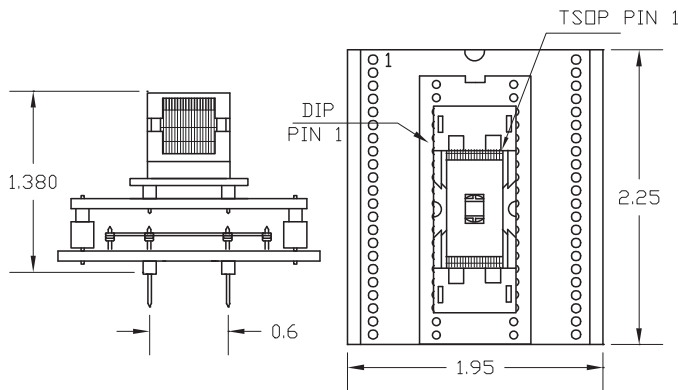
The PA40TS-SG1 adapter converts the pinout of the Atmel AT49F1025 in a 40 pin TSOP device to a 40 pin DIP footprint used by System General. It accepts the TSOP device and plugs into a DIP socket.

The TSOP socket accepts packages with the dimensions listed below:



Body	Knee	Tip	Pitch	Length
12.4 mm typ	13.0 mm	14.0 mm	0.50 mm	10.0 mm typ

Adapter Dimensions



Socket Operation

Press down on sides of socket to insert or remove the device. A vacuum pen or similar tool is recommended for handling the device.

Adapter Construction

The adapter is made up of 3 sub-assemblies. They assemble via connectors making the adapter modular. This way the sub-assemblies can be replaced when they wear out.

When disassembling the adapter take care not to bend the pins. When reassembling the adapter note the pin 1 indicators to align the parts correctly.

Test Socket & Adapter Shim

TSOP Auto-eject Test Socket:

Wells Part #: 648A0402211-A01 LSC Part #: 40TSJ-W14

40TS14-160

Accepts the socket and connects to the bottom board. All pins are wired straight through.

44-40-SG1

Performs the wiring in the chart below, and provides the DIP plug.

Adapter Wiring

The following chart shows the connections from the TSOP device to the adapter's DIP plug.

DEVICE	SIGNAL	PLUG	PLUG	SIGNAL	DEVICE
1	A0	21	20	/OE	40
2	A1	22	19	I/O0	39
3	A2	23	18	I/O1	38
4	A3	24	17	I/O2	37
5	A4	25	16	I/O3	36
6	A5	26	15	I/O4	35
7	A6	27	14	I/O5	34
8	A7	28	13	I/O6	33
9	A8	29	12	I/O7	32
10	GND	30	11	GND	31
11	A9	31	10	I/O8	30
12	A10	32	9	I/O9	29
13	A11	33	8	I/O10	28
14	A12	34	7	I/O11	27
15	A13	35	6	I/O12	26
16	A14	36	5	I/O13	25
17	A15	37	4	I/O14	24
18	NC	38	3	I/O15	23
19	/WE	39	1	NC	22
20	VCC	40	2	/CE	21



Adapters-Plus Inc.

P.O. Box 900
 Tracy, Ca 95378
 ph.209-839-0200
 fax.209-839-0235
 email: sales@adapt-plus.com