

PA40-44-33-DP(-PP) Data Sheet

40 pin DIP socket/44 pin PLCC plug

Supported Device/Footprints

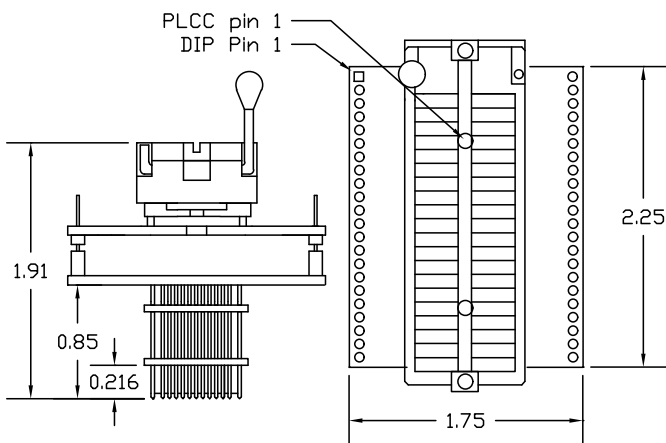
These adapters accept 40 pin DIP devices and plugs into 44 pin PLCC production sockets. They allow DIP devices, or emulators with DIP plugs, to be used during development of PLCC based products.

The following DIP devices footprint are converted to the indicated PLCC footprint.

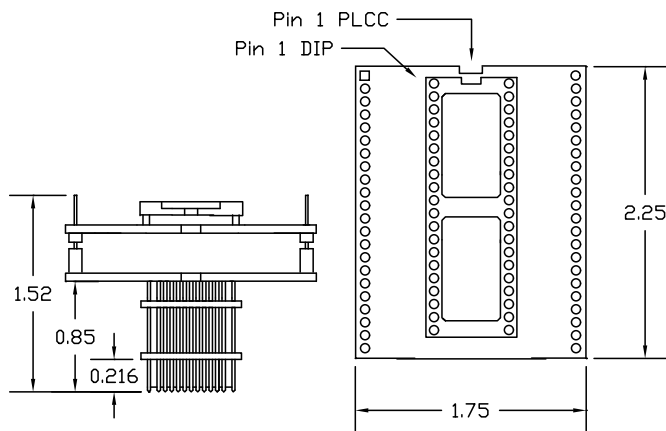
Zilog: Z86E30/ E31/ E33/ 733/ E34/ E40/E43/743/E44
Footprint: Same device 44PLCC

Other devices that require the same wiring would also be supported.

Adapter Dimensions



PA40-44-33-DP



PA40-44-33-DP-PP

Adapter Construction

The adapter is made up of 2 sub-assemblies. They assemble via connectors making the adapter modular. This way the sub-assemblies can be easily replaced.

The following chart lists the adapters described by this datasheet and their subassemblies.

Adapter	Test Socket	Top Board	Bottom Board
PA40-44-33-DP	40-ADZ *	44-40-33-DIP	44PLUG
PA40-44-33-DP-PP	none *	44-40-33-DIP	44PLUG

* The top board always has a 40 pin DIP production socket. The optional test socket plugs into the production socket.

Test Sockets

LSC #	Style	Mfgr/Pn
40ADZ	DIP ZIF	Aries 40-6554-11

When disassembling the adapter take care not to bend the pins. When reassembling the adapter note the pin 1 indicators to align the parts correctly.

Test Points

are available using the two rows of header pins.

Adapter Wiring

The following chart shows the connections from the DIP device to the adapter's PLCC plug.

DEVICE	SIGNAL	PLUG	PLUG	SIGNAL	DEVICE
-	NC	12	34	R/RL-	-
1	R/W-	13	35	RST	21
2	P25	14	36	P35	22
3	P26	15	37	P37	23
4	P27	16	38	P36	24
5	P04	17	39	P30	25
6	P05	18	40	P00	26
7	P06	19	41	P01	27
8	P14	20	42	P10	28
9	P15	21	43	P11	29
10	P07	22	44	P02	30
11	VCC	23	1	GND	31
11	VCC	24	2	GND	31
12	P16	25	3	P12	32
13	P17	26	4	P13	33
14	XTAL2	27	5	P03	34
15	XTAL1	28	6	P20	35
16	P31	29	7	P21	36
17	P32	30	8	P22	37
18	P33	31	9	P23	38
19	P34	32	10	P24	39
20	AS-	33	11	DS-	40

Skip short notation: 1, 12, 23, 34 (1-2), (23-24)PLCC rotated CCW (+11).



Adapters-Plus Inc.

P.O. BOX 900
Tracy, Ca 95378
ph.209-839-0200
fax.209-839-0235
email: sales@adapt-plus.com

PA40-44-33-DP(-PP) Data Sheet

Doc: 404433DP.DOC

Rev 02/08/00

Page 1 of 1