

PA32-32-DP(-PP) Data Sheet

32 pin DIP socket/32 pin PLCC plug

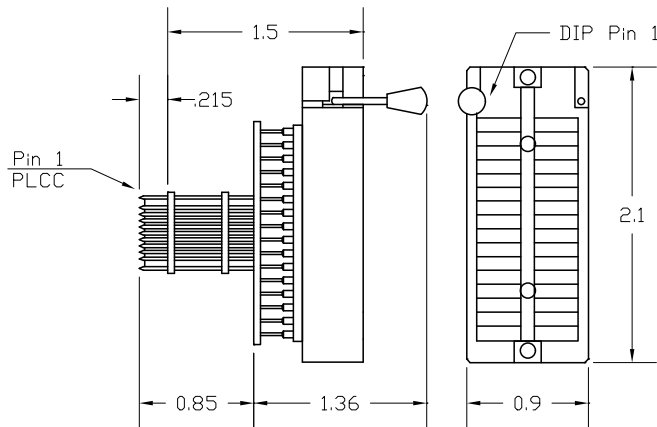
Supported Device/Footprints

The PA32-32-DP adapter accepts 32 pin DIP devices and plugs into 32 pin PLCC production sockets. This allows DIP devices, or emulators with DIP plugs, to be used during development of PLCC based products.

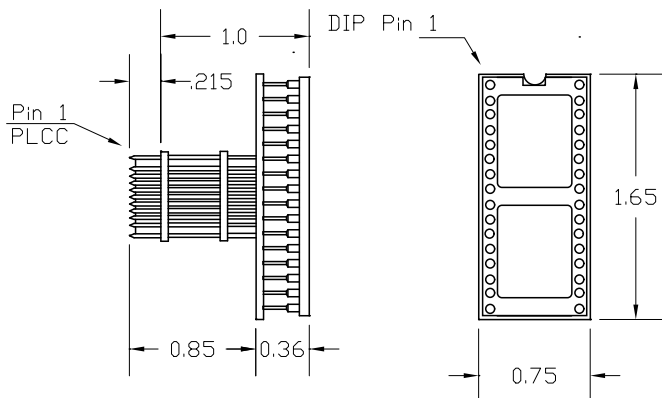
The PA32-32-DP-PP has a production socket only.

Mfgr	Socket		Plug	
	Device	Package	Device	Plug
Many	27C010	32 pin DIP	27C010	32 pin PLCC
	27C020		27C020	
	27C040		27C040	
	27C080		27C080	

Adapter Dimensions



PA32-32-DP



PA32-32-DP-PP

Adapter Construction

The adapter is made up of 2 sub-assemblies. They assemble via connectors making the adapter modular. This way the sub-assemblies can be replaced when they wear out.

When disassembling the adapter take care not to bend the pins. When reassembling the adapter note the pin 1 indicators to align the parts correctly.

Test Socket

Aries Part #: 32-6554-11

LSC Part #: 32ADZ

PA32-32DP

Accepts the test socket and maps the signals to the PLCC plug.

Test Points

are available using the DIP socket pins (.020 dia. x .130 high).

Adapter Wiring

This adapter is wired 1 to 1. The following chart shows the connections from the DIP device to the adapter's PLCC plug.

DEVICE	PLUG
1	1
2	2
3	3
4	4
5	5
6	6
7	7
8	8
9	9
10	10
11	11
12	12
13	13
14	14
15	15
16	16
17	17
18	18
19	19
20	20
21	21
22	22
23	23
24	24
25	25
26	26
27	27
28	28
29	29
30	30
31	31
32	32



Adapters-Plus Inc.

P.O. BOX 900
 Tracy, Ca 95378
 ph.209-839-0200
 fax.209-839-0235
 email: sales@adapt-plus.com

www.adapt-plus.com

PA32-32-DP(-PP) Data Sheet

Doc: 3232DPSM.DOC

Rev 5/4/99

Page 1 of 1