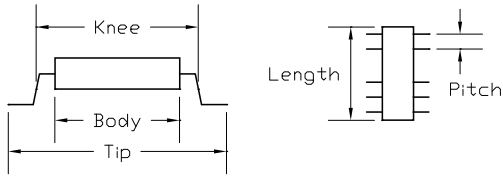


PA48QS-1387-6 Data Sheet

48 pin QSOP(SSOP) socket/48 pin DIP 0.6" plug

Supported Device/Footprints

The PA48QS-1387-6 adapter converts a 48 pin QSOP/SSOP package to a 48 pin DIP 0.6" footprint. The supported package has been called a QSOP by some and an SSOP by others. The key factors are the dimensions. See the following list of dimensions.

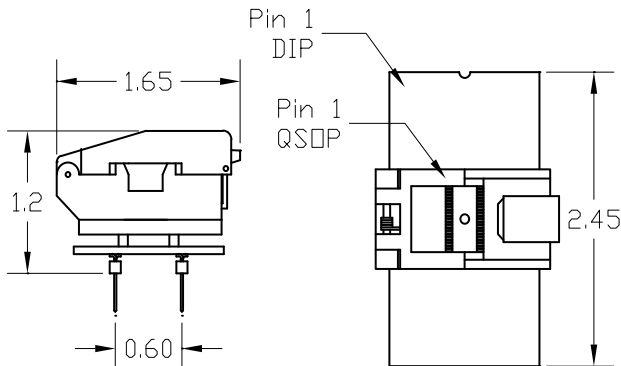


Body	Knee	Tip	Pitch	Length
0.295" typ	0.345" max	0.405"	0.025"	0.625"
7.5mm typ	8.76mm max	10.3mm"	0.635mm	15.9mm"

IC manufacturers package codes know to be compatible are:

Mfgr	Package
Cypress	O48

Adapter Dimensions



Adapter Construction

The adapter is made up of 2 sub-assemblies. They assemble via connectors making the adapter modular. This way the sub-assemblies can be replaced easily.

The following chart lists the adapter described by this datasheet and its subassemblies.

Adapter	Socket	Board
PA48QS-1387-6	48(56)QSH-1387	48QS-01

Test Sockets

LSC #	Style	Mfgr/Pn
48(56)QSH-1387	Lidded ZIF	Yamaichi IC51-1387-KS15186

When disassembling the adapter take care not to bend the pins. When reassembling the adapter note the pin 1 indicators to align the parts correctly.

Adapter Wiring

This adapter is wired 1 to 1. The following chart shows the connections from the SO device to the adapter's DIP plug.

QSOP	DIP	DIP	QSOP
1	1	48	48
2	2	47	47
3	3	46	46
4	4	45	45
5	5	44	44
6	6	43	43
7	7	42	42
8	8	41	41
9	9	40	40
10	10	39	39
11	11	38	38
12	12	37	37
13	13	36	36
14	14	35	35
15	15	34	34
16	16	33	33
17	17	32	32
18	18	31	31
19	19	30	30
20	20	29	29
21	21	28	28
22	22	27	27
23	23	26	26
24	24	25	25



Adapters-Plus Inc.

P.O. Box 900
 Tracy, Ca 95378
 ph.209-839-0200
 fax.209-839-0235
 email: sales@adapt-plus.com