

2

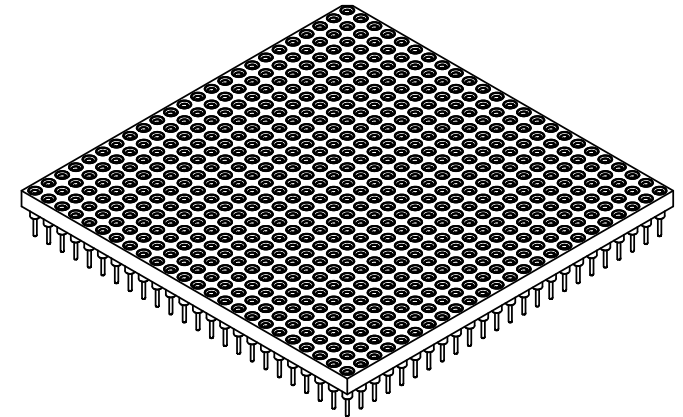
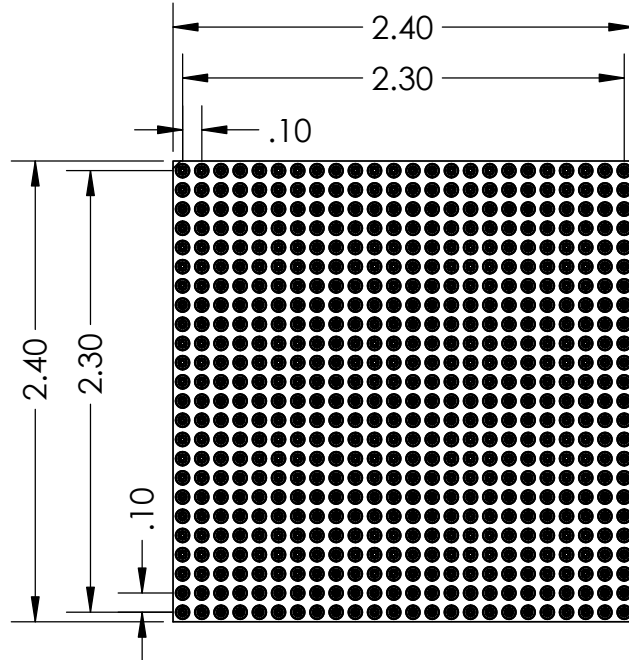
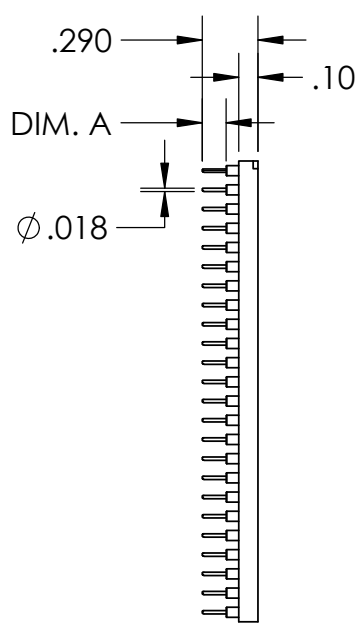
1

PART NUMBER	DIM. A
PS576A-0131GG-P	.125"
PS576A-0132GG-P	.180"
PS576A-0133GG-P	.215"

REVISIONS		
REV.	DESCRIPTION	DATE
A	INITIAL RELEASE	9/23/2020

B

B



A

A

NOTE:

- INSULATOR MATERIAL: GLASS FILLED POLYESTER
- FLAMABILITY RATING: UL94V-0
- OPERATING TEMP: -55C TO +125C
- ACCEPTS -.015-.021 DIAMETER PIN
- SHELL MATERIAL: BRASS ALLOY C36000, 1/2 HARD
- SHELL PLATING 10µ MIN. OVER NICKEL, 100µ MIN
- CONTACT MATERIAL: BeCu
- CONTACT PLATING: 10µ MIN. OVER NICKEL, 100µ MIN

PROPRIETARY AND CONFIDENTIAL

THE INFORMATION CONTAINED IN THIS DRAWING IS THE SOLE PROPERTY OF ADAPTERS-PLUS INC. ANY REPRODUCTION IN PART OR AS A WHOLE WITHOUT THE WRITTEN PERMISSION OF ADAPTERS-PLUS IS PROHIBITED.

UNLESS OTHERWISE SPECIFIED:

DIMENSIONS ARE IN INCHES  
 TOLERANCES:  
 FRACTIONAL ± .1  
 ANGULAR: MACH ± .1  
 TWO PLACE DECIMAL ± .01  
 THREE PLACE DECIMAL ± .005

INTERPRET GEOMETRIC TOLERANCING PER:

MATERIAL

FINISH

DO NOT SCALE DRAWING

	NAME	DATE
DRAWN	AM	09/23/20
CHECKED	SB	09/23/20
ENG APPR.		
MFG APPR.		
Q.A.		
COMMENTS:		


**Adapters-Plus Inc.**  
 Ph: 209-839-0200  
 web: www.adapt-plus.com

TITLE: **576 PGA SOCKET  
24 X 24 GRID**

SIZE <b>A</b>	DWG. NO. PS576A-013XGG-P	REV <b>A</b>
------------------	-----------------------------	-----------------

SCALE: 1:1    WEIGHT:    SHEET 1 OF 1

2

1